



Barricade, Channelizer &
Delineator Product Guide



TABLE OF CONTENTS:

PAGE
03 | WHO WE ARE

PAGE
04 | TYPE III
BARRICADES

PAGE
08 | ADA-COMPLIANT
SAFETY DEVICES

PAGE
12 | A FRAME & VERTICAL
PANEL BARRICADES

PAGE
14 | WAVE™ CENTERBOARDS
& BALLAST OPTIONS

PAGE
16 | DRUMS & CHANNELIZERS

PAGE
19 | STANDGARD™ PORTABLE
STANDING STATION

PAGE
20 | DELINEATORS

WHO WE ARE

WE ARE PSS:

For over 30 years, PSS has crafted breakthrough solutions that can safeguard worksites and save lives. We are powered by dedicated, creative people and fueled by continuous innovation.

Our focus is on the right-of-way — that point in time and place where motorists, workers, and pedestrians intersect and interact. Our goal is to design products and services that provide safe travels so that everyone can return home safely at the end of the day.

We don't just talk about Innovations for Safety® — we live it. We believe that audacious ideas and hard work produce outstanding results.

Our important work on, around, and through the right-of-way will result in real solutions for real people. Through continuous innovation and with consultation, education, and training, we work to save lives today, tomorrow, and for decades to come.



LANEGARD3™ FOLDING TYPE III

LANEGARD3 FEATURES:

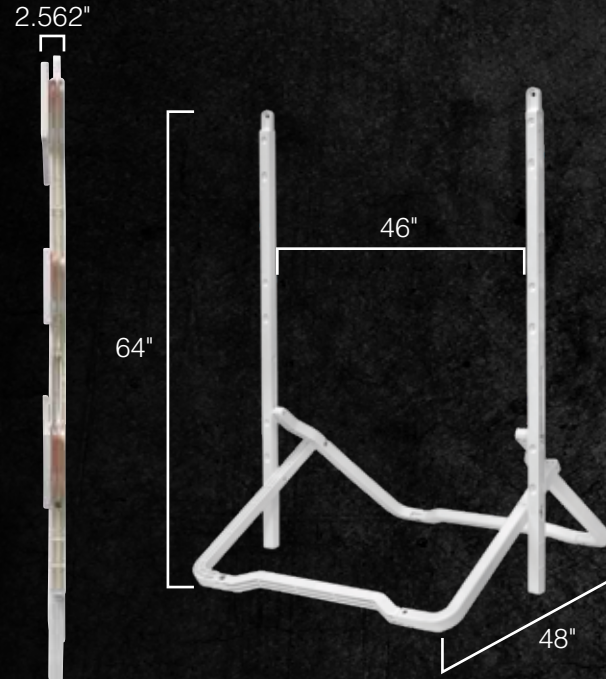
One-piece design folds for storage and transport and unfolds for use. Sets up and tears down in seconds. One person can easily fold and unfold LaneGard 3 for transport and deployment. Weighs 17 lbs without centerboards.

LaneGard3 is designed for use with PSS Wave™ Centerboards. Available in 4', 6', and 8' lengths. Retroreflective sheeting is available in Engineer, Hi-Intensity Prismatic (orange and white or red and white), and Diamond Grade. Wave accepts sheeting on one or both sides. See page 14 for more details.



LANEGARD3 FOLDING SPECIFICATIONS:

When folded, LaneGard measures less than 3" thick, including PSS Wave Centerboards.



LANEGARD3™ UPRIGHT FEATURES:

LaneGard3 folds for transport and storage and unfolds for use with PSS Wave Centerboards attached. Measures less than 3" thick when folded. Once assembled, always assembled.

1. Molded-in Warning Light Mount accepts LED Types A and C warning lights.
2. Molded through-holes recessed for flush-mounted hardware.
3. Use sandbags or PSS tire collars for additional ballast.
4. Anti-Skid Feet can provide additional stability. Two per crossbar.



FHWA ELIGIBILITY LETTER:

Letter: WZ-336

Tested to Manual for Assessing Safety Hardware
(MASH) Test Level: 3

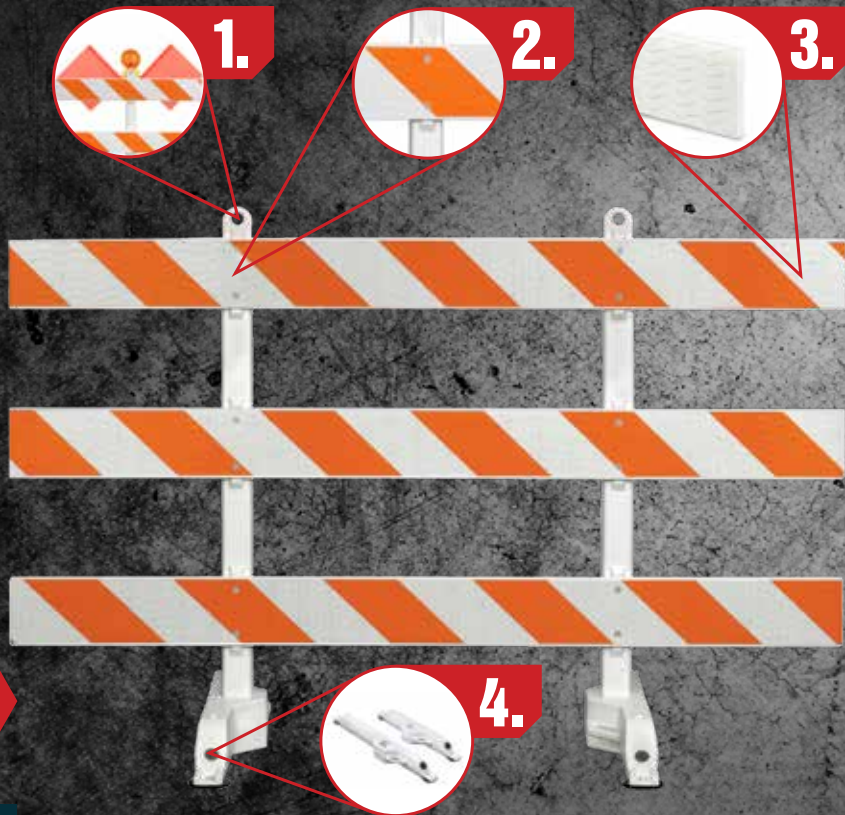
ANCHOR™ MAST™ TYPE III BARRICADE

ANCHOR MAST FEATURES:

Anchor Mast Type III Barricade consists of Anchor Mast Upright, Anchor Base, and Wave Centerboard.

The unit is manufactured from high-density polyethylene plastic with UV stabilizers.

1. Mast Upright features molded-in warning light mounts for Type A warning lights. Mounting holes hold two flags, front and back.
2. Mast Upright's molded through-holes add strength and support.
3. Wave Centerboards are available in 4', 6', and 8' lengths. Retroreflective sheeting is available in Engineer, Hi-Intensity Prismatic, and Diamond Grade sheeting. Wave boards accept sheeting on both sides.
4. Anchor Base is available in two lengths — 48" & 60".



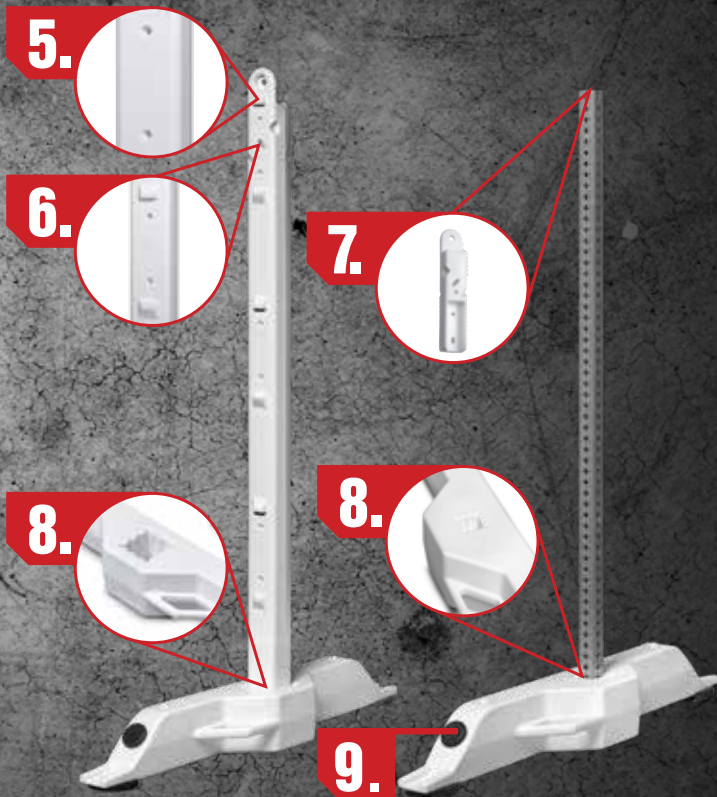
FHWA ELIGABILITY LETTER & MASH TESTING:

Letter: WZ-389

Tested to Manual for Assessing Safety Hardware (MASH)

Test Level: 3*

*For a 4' Anchor with 8' Wave Boards - No lights, flags, or signs



MAST™ UPRIGHT FEATURES:

5. Molded through-holes are recessed for flush-mounted hardware which protects sheeting.
6. Raised Centerboard Locators make installation of Wave Centerboards easier and faster.

LIGHT AND FLAG MOUNT FEATURES:

7. Light and flag mount (LFM) accessory, sold separately, attaches to perforated stainless steel tube (PSST) uprights. Accepts one or two flags and one warning light. Manufactured from high-density polyethylene plastic with UV stabilizers. PSS does not offer PSST uprights for sale.

ANCHOR™ BASE FEATURES:

8. Available in two styles: for plastic uprights or PSST uprights. Anchor Base for plastic uprights features a 4" x 4" mount. Anchor Base for PSST uprights features a 1 3/4" x 1 3/4" mount. "Press-fit" installation means no tools required to attach uprights. Includes molded-in carrying handle.
9. Features molded in fill-hole and cap to fill with sand. Anchor 48" holds 45 lbs, Anchor 60" holds 60 lbs. Rubber anti-skid pad on bottom helps increase traction and decrease movement.

SAFETYWALL™ PEDESTRIAN BARRICADE

SAFETYWALL ADA-COMPLIANT BARRICADE:

Dimensions: 3" W x 36.25" H x 74" L

Weight: 35 lbs

Material: Made with high-density polyethylene with UV stabilizers to provide years of reliable service life. The foldable steel legs deliver increased stability with ballast.

SafetyWall is a continuous, interlocking device ideal for creating accessible work zones. Our barricade meets ADA guidelines and MUTCD 2009 Edition as a sidewalk closure barricade or longitudinal channelizer. SafetyWall provides the same level of pedestrian guidance as concrete or water-filled barrier, but is easier to transport, install, and remove.

SafetyWall accepts retroreflective sheeting, meeting all ASTM D4956-19 specifications, on one or both sides. Retroreflective sheeting is available in Hi-Intensity Prismatic (standard or block), and Diamond Grade sheeting.

SAFETYWALL FEATURES:

1. SafetyWall provides continuous guidance. Hand-Trailing top is smooth, safer for hand guidance.
2. Accepts Audible Information Devices, Warning Lights.
3. SafetyWall is an interlocking device. Assembles quickly. No tools required. A two-person crew can easily create an accessible work zone in minutes.
4. Centrally located carry handle allows for easy transport of one or two SafetyWall units.
5. The nesting feature provides for convenient stacking and storage.
6. Continuous bottom for guidance with cane. Gap between bottom of unit and ground is less than 2", reducing potential for trapping cane tips.
7. Common vertical plane eliminates obstacles in the walkway for safer, continuous guidance.
8. Legs fold in for easy storage. Recessed bottom edge allows for easy deployment of both legs.

Patents: <http://bit.ly/3cHVTp8>



SAFETYWALL™ PEDESTRIAN BARRICADE



SAFETYRAIL™ PEDESTRIAN BARRICADE

SAFETYRAIL ADA-COMPLIANT BARRICADE:

SafetyRail is a continuous, interlocking device designed for creating accessible work zones. This device adheres to ADA guidelines and MUTCD 2009 Edition as a sidewalk closure barricade and longitudinal channelizer.

SAFETYRAIL FEATURES:

1. Audible Information Device or Warning Light Mount.
2. SafetyRail provides continuous hand guidance using the Wave® Guide Rail.
3. Oversized fill hole for internal sand ballast.
4. Top and bottom bushings hold Wave Guide Rail in place. No installation tools required.
5. Molded-in lug for easy stacking also located by the fill hole and the molded handle.
6. Common vertical plane eliminates obstacles in the walkway for safer, continuous guidance.
7. Molded handle for easy transport.
8. Support for optional ballast.
9. Measures 1.5" from ground, reducing potential for trapping cane tips.

Patents: <http://bit.ly/3cHVT8>



FHWA ELIGIBILITY LETTER:

Letter: WZ-359

Tested to Manual for Assessing Safety Hardware (MASH) Test Level: 3

SAFETYRAIL™ PEDESTRIAN BARRICADE

SAFETYRAIL FEATURES:

Dimensions: 3.25" W x 38" H x 24" L at base

Weight: 7 lbs empty or up to 25 lbs of ballast

Material: High-density polyethylene and UV inhibitors

PSS WAVE GUIDE RAIL:

Made from high-density polyethylene with UV inhibitors and is available in four-foot or six-foot lengths. Encapsulated ends eliminate cane or hand snagging hazards.

Wave Guide Rail accepts retroreflective sheeting, meeting all ASTM D4956-19 specifications, on one or both sides. Retroreflective sheeting is available in Engineer, Hi-Intensity Prismatic (standard or block), and Diamond Grade sheeting.



SafetyRail is designed for use with PSS Wave™ Guide Rail. The upper Wave Guide Rail is smooth, continuous, and safe for trailing of the hand. The lower Wave Guide Rail measures 1.5" from the ground, reducing potential for trapped cane tips. Wave "notch" design keeps guide rails securely in bushings.

F&A FRAME™ BARRICADE

F&A FRAME™ BARRICADE FEATURES:

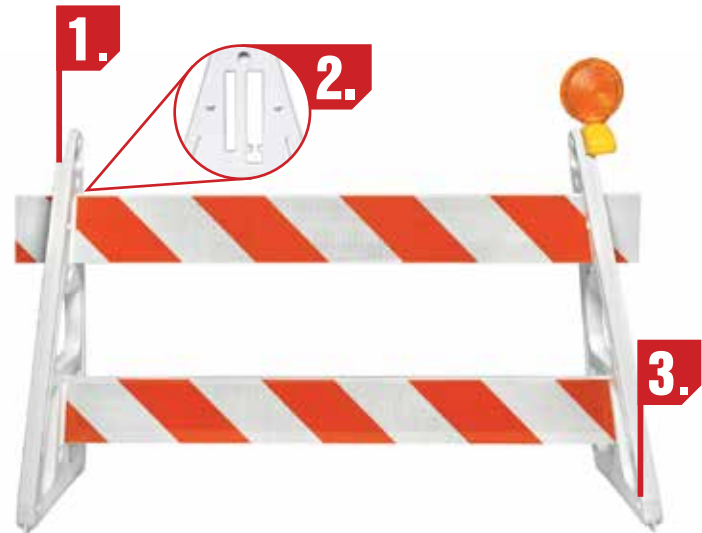
F&A Frame Barricade functions as a Type I or Type II barricade. F&A Frame is manufactured from high-density polyethylene plastic with UV inhibitors.

PSS Wave™ centerboard is ideal for use with F&A Frame. Retroreflective sheeting is available in Engineer, Hi-Intensity Prismatic (standard or block), and Diamond Grade sheeting. See page 14 for more on Wave Centerboards.

Other features include molded ridges that add strength and durability and an oversized sand-fill hole that allows for added ballast.

**FHWA Eligibility Letter WZ-102*

1. Molded-in, ergonomic handle accepts Types A and C warning lights
2. In addition to Wave centerboards, also accepts plastic, I-beam, or wood centerboards
3. Molded, heavy gauge feet add balance and durability



MVP™ VERTICAL PANEL



Base made from 100% recycled material.



We use 3M Retroreflective Sheeting.

MVP VERTICAL PANEL FEATURES:

MVP serves as a channelizer to direct traffic or as a barricade to divide lanes. MVP is manufactured from high-density polyethylene plastic with UV inhibitors.

MVP's recessed panel protects the retroreflective sheeting. Retroreflective sheeting meets all state and federal specifications and is available in Engineer, Hi-Intensity Prismatic, and Diamond grades.

1. Molded handle accepts Types A and C warning lights
2. Recessed Panel is 12" wide. Available in 24" or 36" lengths. 12" x 36" panel shown. Panel can be removed for reuse
3. Stacks for compact transport and storage
4. Features molded foot step for easy press-fit assembly into base
5. Base weighs 45 lbs. and is manufactured from 100% recycled material

FHWA Eligibility Letter WZ-166.



WAVE™ CENTERBOARD

3M

We use 3M
Retroreflective
Sheeting.

WAVE CENTERBOARD FEATURES:

Wave Centerboard is blow-molded from UV-stabilized, high density polyethylene plastic with a reinforced structure.

Wave design (See Figure B):

- » Strengthens and stiffens the centerboard
- » Reduces sagging and warping
- » Greatly improves reboundability

Closed ends prevent dirt and moisture from collecting. Also prevents bees and hornets from building nests.

Retroreflective sheeting meets all state and federal specifications and is available in Engineer, Hi-Intensity Prismatic (standard or block) (orange and white or red and white), and Diamond grades.

Wave is available in 4', 6', and 8' lengths. Accepts sheeting on one or both sides.

Ideal for use with Anchor Mast, LaneGard 3 Type III Barricades, SafetyRail Pedestrian Barricade, and F&A Frame Barricade.

FHWA Eligibility Letters WZ-173 and 244

Patents: <http://bit.ly/3cHVTp8>

A.



Figure A: Designed with Anchor Mast Upright for a close-tolerance barricade system.

B.



Figure B: Molded fastener receiver add strength and support. Recessed holes accommodate pallet nut hardware, which protects sheeting.

EXTERNAL BALLAST OPTIONS



Ballast made from 100% recycled material.

RUBBER TIRE COLLAR FEATURES:

Weight: 22-25 lbs

Color: Black, no paints or markings of any color

Inside Diameter: 21.75"

Outside diameter: 35" - 36.5"

Rubber Tire Collar provides significant ballast for drums, barricades, and other traffic control devices.

Makes positive contact with road when installed on drums.

Cut from 22.5" truck tires, 100% recycled material.



PLASTIC SAND BAG FEATURES:

Weight: Holds up to 25 lbs of sand

Color: Safety Orange

Dimensions: 14" W x 26" L

Plastic sand bags provide significant ballast for drums, barricades, and other traffic control devices.

Made of 850 lb. weight denier polypropylene plastic with UV stabilizers.



LIFEGARD II™ CHANNELIZER



Ballast made from 100% recycled material.

LIFEGARD II DRUM FEATURES:

1. Manufactured from high-density polyethylene plastic with UV inhibitors. Molded handle accommodates Type A and C warning lights.
2. Intermittent Stacking Rims prevent drums from locking when stacked and protect sheeting.
3. Designed for up to five bands of retroreflective sheeting. Sheeting available in 4" and 6" widths. Sheeting meets all state and federal specifications and is available in Engineer, Hi-Intensity Prismatic, and Diamond grades.
4. Designed for use with rubber tire collar ballast. Internal rubber base, 25 or 40 lbs, also available. Ballast made from 100% recycled material.
5. Hot Stamp ink permeates plastic and resists damage during normal use. Stencil ink lays on surface and does not permeate plastic.
6. The anti-roll feature is a flat section of the flange slows drum rolling if impacted.



Patents: <http://bit.ly/3cHVTp8>

NAVIGATOR™ CHANNELIZER

3M We use 3M
Retroreflective
Sheeting.

NAVIGATOR CHANNELIZER FEATURES:

1. Manufactured from polyethylene plastic with UV inhibitors. Molded handle accepts Types A and C warning lights. The handle also serves as a “roping-off” mount.
2. 42" Navigator accommodates up to five bands of 4" or 6" sheeting, 28" Navigator (see insert) up to three bands. Retroreflective sheeting meets all state and federal specifications and is available in Engineer, Hi-Intensity Prismatic, and Diamond grades.
3. Hot Stamp ink permeates plastic and resists damage during normal use. Stencil ink lays on surface, does not permeate plastic.
4. Navigator shown with hexagonal base. Available in 10 or 16 lb. weights. 30 lb. base available. Manufactured from 100% recycled material.

Patents: <http://bit.ly/3cHVTp8>



FIRSTGARD FOLDING CONE



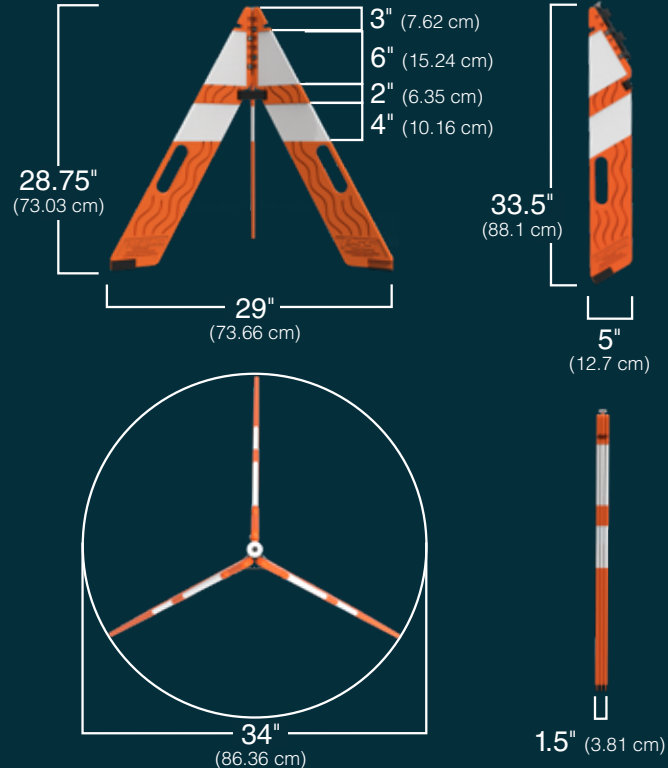
We use 3M
Retroreflective
Sheeting.

FIRSTGARD FEATURES:

FirstGard is a patented, foldable traffic cone that can be deployed nearly instantly. Lightweight but heavy enough to remain stable, FirstGard is designed to be transport-friendly, folding to just 1 1/2" in height, enabling the storage of multiple units while requiring minimal storage space. This innovation in channelizing devices will provide law enforcement, fire services, and emergency management teams with increased conspicuity while in compliance to the MUTCD.

Retroreflective sheeting is available in Engineer, Hi-Intensity Prismatic, and Diamond Grade sheeting.

DIMENSIONS OF FIRST GARD:



STANDGARD™ BASE



We use 3M
Retroreflective
Sheeting.

PROVIDES A HOME BASE FOR WORKERS:

StandGard™ Base Portable Standing Platform provides a tangible home base for workers who stand adjacent to traffic. With StandGard, workers have a designated standing location with an appropriate, predetermined buffer space between a worker and the work zone. StandGard creates a recognizable location at which a worker should remain. Workers are safer adjacent to live traffic as drivers can more readily see them.

PROVIDES MORE COMFORTABLE SURFACE:

StandGard's weatherable anti-fatigue mat reduces wear on feet, knees and backs of workers. The mat is replaceable, extending the life of the foam base.



STAND LONGER.
STAND SAFER.
STANDGARD™



WEIGHT & DIMENSIONS:

Overall Dimensions: 21" W x 28" L x 1.75" Thick
Standing Area Dimensions: 16.75" W x 24.5" L Weight: 4.5 lbs



NITELITE™ II RETROREFLECTIVE FENCE

NITELITE II APPLICATIONS:

NiteLite II Retroreflective Fence protects pedestrians and drivers with continuous visual delineation. Ideal for work zones, crowd control, and other closures.

- » Satisfies Iowa DOT specifications for road closures
- » Delineates fixed objects, such as utility poles, that are located close to pedestrian or vehicular traffic
- » Delineates excavations within traffic lanes or close to the edge of the road
- » Directs pedestrians at planned special events

NITELITE II FEATURES:

- » Features three 1"-wide retroreflective high-intensity prismatic (HIP) stripes
- » Made of orange UV-protected polyethylene plastic
- » Standard roll: 4' x 50'. Weighs: 25 lbs.
- » Reusable, lightweight, and easy to install
- » Rolls easily for storage



QUIK-MARK™ OBJECT MARKER



We use 3M
Retroreflective
Sheeting.

QUIK-MARK FEATURES:

Quik-Mark Object Marker delineates temporary or permanent barriers and other features near the roadway.

- » Consists of a durable, flexible, high-density polyethylene plastic reflective panel that mounts on a high-impact plastic "L"-shaped bracket.
- » Standard panel sizes are 6" W x 12" H and 8" W x 12" H reflective area. Other sizes available. Quik-Mark accepts sheeting on one or both sides.
- » Retroreflective sheeting meets all state and federal specifications. Available in Hi-Intensity Prismatic and Diamond grade.
- » Standard sheeting colors are orange, white and yellow. Other colors available.



QUIKGARD™ GUARDRAIL DELINEATOR

QUIKGARD FEATURES:

QuikGard Guardrail Delineator is ideal for entrance/exit ramps, work zones, low visibility areas, high speed roads.

- » “Patented Notch” provides vertical and horizontal alignment for fast, easy installation.
- » Manufactured from durable, flexible, high-density polyethylene plastic with UV stabilizers.
- » Retroreflective sheeting meets all state and federal specifications. Available in Diamond grade. Available in white, yellow, and red. Accepts sheeting on one or both sides.



3' x 4"
reflective area
Delineator “I”

4' x 6½"
reflective area
Delineator “L”

4' x 13"
reflective area
Delineator “T”



BAM™ BARRIER DELINEATOR



We use 3M
Retroreflective
Sheeting.

BAM BARRIER DELINEATOR FEATURES:

BAM Barrier Delineator is designed for top-mounted or side-mounted applications for permanent or temporary barriers.

- » Unique, flexible hinge design can reduce replacement costs. Available with retroreflective sheeting or acrylic reflective lens.
- » BAM accepts sheeting or acrylic lenses on one or both sides. Retroreflective sheeting provides 11.5 square inches of reflective area. Acrylic lens provides 8.9 square inches.
- » Standard sheeting colors are white and yellow. Other colors available. Acrylic lens colors include amber, red, blue, or clear.
- » Retroreflective sheeting meets all state and federal specifications. Available in Hi-Intensity Prismatic and Diamond grade.



Follow us on:



We are a proud member of:



PSS | 2444 Baldwin Road, Cleveland, OH 44104 | 800.662.6338 | PSS-Innovations.com | Copyright © 2022 11/22